

Discussion

C



4-8-16

Gregg Cruickshank
Sidney CSD
Sidney IA

Dear Mr. Cruickshank,

Please consider these classroom buildings for your school.

(A) 24' X 64' (1536 sq. ft.) Two-Classroom Building, NO restrooms:

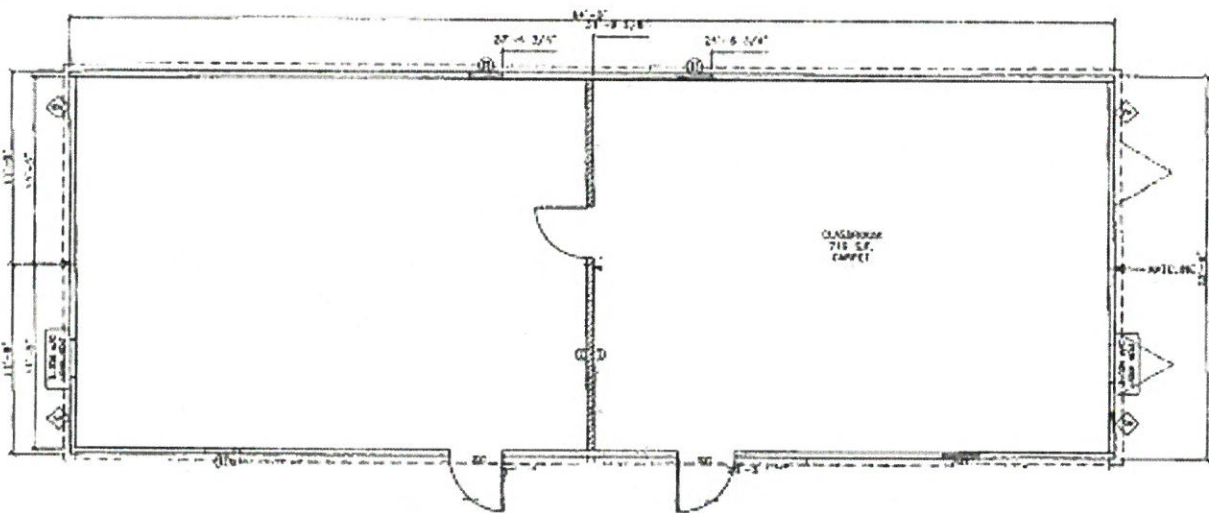
Lease:

Delivery & Set-up:	\$6,550
*Two Year Lease:	\$9,950/An.
Removal & Return:	\$5,500

Options:

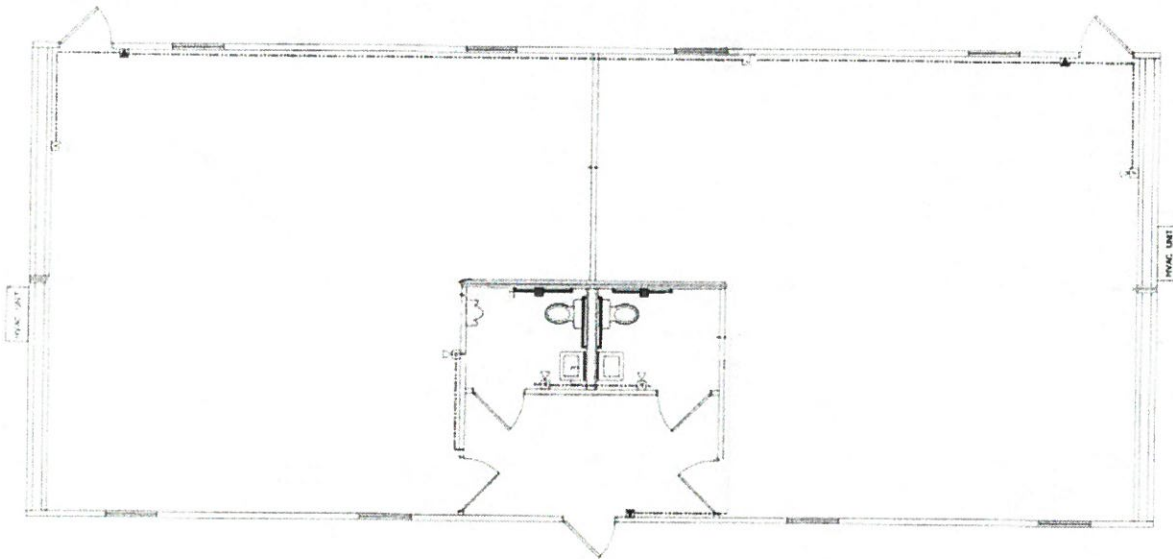
Vinyl Skirting:	\$2,600
5'X12' Deck with 30' ADA Ramp	\$4,650

*\$29,250 first year
\$9,950 2nd year*



(B) 28' X 66' (1848 sq. ft.) Two-Classroom Building: two restrooms, entry foyer, Contempri, vinyl siding, carpet.

Lease:	Delivery & Set-up:	\$6,850	<i>\$30,745</i>	<i>1st year</i>
	X Two Year Lease:	\$10,500/An.		
	Removal & Return:	\$5,995	<i>\$10,500</i>	<i>2nd year</i>
Options:	Vinyl Skirting:	\$2,750		
	5'X8' Deck with 30' ADA Ramp	\$4,250		



Pricing does not include: building permits, site preparation, skirting, ramps/decks, utility connections, poured-in-place concrete, extra costs due to site/location, taxes, etc.

Sincerely,

Rob Prulhiere

Rob Prulhiere, President

Pre-owned School Units



Over 2,200 Sq. Ft. of Space

\$75,000 @ less than \$35 per sq. ft.

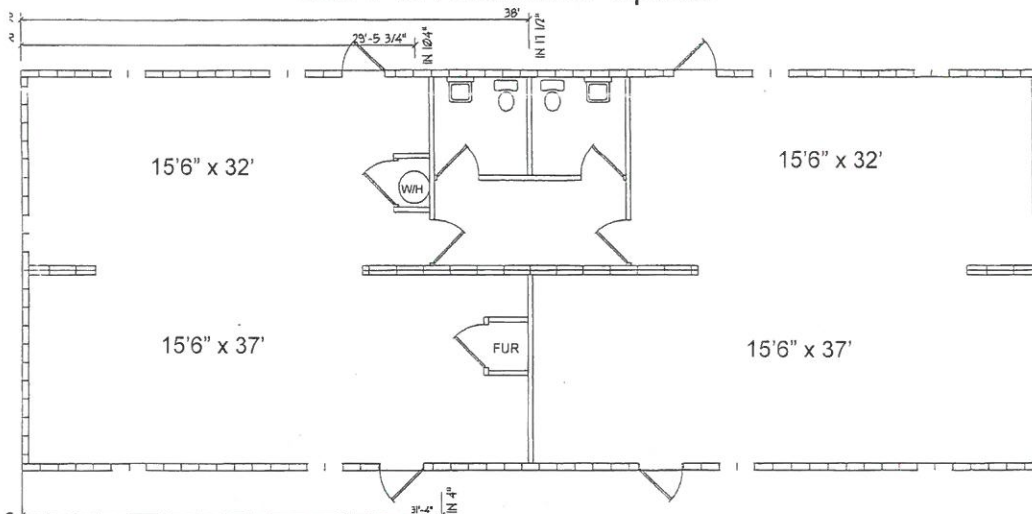
(Includes Delivery within a 150 mile radius)

Only (3) Available

* Buyer Responsible for All Permits, Utility Hookups & Site Prep

- 2 ADA Restrooms
- 6" Walls, All Drywall
- A/C and Furnace Included
- Vinyl Siding / Shingled Roof

* Call For Additional Specs



NU-TREND HOMES

6303 "L" Street • Omaha, NE 68117 • 402-733-8900 • www.nutrendomaha.com
Mon - Fri 8am to 6pm • Sat 10am to 5pm • Closed Sunday

Discussion
d



113 North Griffith Rd. • P.O. Box 625 • Carroll, Iowa 51401
Phone: 712-792-3143 • Fax: 712-792-6658 • WATS: 1-800-568-2403
E-mail: customerservice@feldsecurity.com • Website: www.feldfire.com
Member: NFPA, NAFED, IAFC, IFA, IFCA

Sidney Community High School:

On 4/7/16 the Sidney High School lost power at their facility for several hours. When the power was restored the fire alarm control panel went into alarm and was unable to be reset. Upon my arrival I found 2 zones stuck in alarm. The main control board would no longer allow us to reset from it. We were able to reset the panel but it continued to go into alarm with different devices and different zones. The panel was powered down at that time due to it not working correctly. Panel was removed from service on 4/8/16.

Service Technician:

A handwritten signature in black ink that reads "Patrick A. Hanson".

Patrick A. Hanson

Date: 4/11/16

Security Department Manager:

A handwritten signature in black ink that reads "Michael J. Schulz".

Michael J. Schulz

Date: 4-14-16



113 North Griffith Rd. • P.O. Box 625 • Carroll, Iowa 51401
Phone: 712-792-3143 • Fax: 712-792-6658 • WATS: 1-800-568-2403
E-mail: sales@feldfire.com • Website: www.feldfire.com
Member: NFPA, NAFED, I.A.F.C., I.F.A., I.F.C.A.

April 15, 2016

BID: FIRE ALARM SYSTEM
Sidney High School
Sidney, Iowa

- 1 MS9600UDL Fire Alarm Control Panel
- 1 Addressable Loop Expansion Module
- 1 Surge Protection Kit
- 10 Addressable Isolation Modules
- 90 Addressable Smoke Detectors
- 2 Addressable Heat Detectors
- 13 Addressable Pull Stations
- 2 Addressable Beam Smoke Detectors (for the gym)
- 2 Beam Detector Wire Guards
- 18 Addressable Duct Detectors
- 18 Addressable Fan Shutdown Relays
- 1 Voice Evacuation Panel (for the gym)
- 6 Speaker Strobes
- 6 Speaker Strobe Back Boxes
- 20 Wall Mount Horn Strobes
- 20 Ceiling Mount Horn Strobes
- 23 Wall Mount Strobe
- 1 Addressable Monitor Module
- 2 12 Volt 12 Amp Batteries
- 2 12 Volt 7 Amp Batteries
- Mounting Brackets and Boxes
- Fire Marshal Submittals

Total materials, installation, checkout, and programming for above equipment: **\$45,861.00**
without tax.

Note: This bid replaces the entire existing fire alarm system, and brings it up to current NFPA 72 and IBC code standards.

Note: The school will need to hire a licensed electrician to remove 120 volt power from the existing duct detectors and find the circuit breaker that feeds the horn strobe power supply. If the horn strobe power supply is not on a dedicated circuit the electrician will need to put it on its own circuit to meet code.

***Note:** The school will need to supply Feld Security with any drawings of the building that we can scan so we can submit the fire alarm plan to the state fire marshal office.*

***Note:** This price is valid for 30 days.*

If you have any questions, please call me.

Thank you,

A handwritten signature in black ink, appearing to read "M. J. Schulz". The signature is fluid and cursive, with a long horizontal stroke at the end.

Michael J. Schulz
Ed M. Feld Equipment Co., Inc.

Interim Principal and Head Teacher 2016-2017

Interim principal would be present in the elementary building 3 days per week (MWF). Consideration/flexibility of those 3 days will be used when there is a need for principal presence on a particular day (staff/team meetings, IEP meetings, parent teacher conferences, etc.) or the interim has a request of switching the days out.

Roles/Responsibilities

Principal	Head Teacher
Management of building	Management of building in the absence of the interim principal
Support staff and students with disciplinary issues, must sign off on suspensions	Support staff and students with disciplinary issues in the absence of the interim principal
Communication—staff, students, parents, community	Communication liaison - staff, students, parents, community
Acclimate and support new staff	Support Instructional Coaches -TLC
Support for staff in professional development activities	Support/coordinate professional development activities
Support for staff in the various building initiatives	Attend meetings necessary for various building initiatives
Staff evaluations	Provide support for various testing and interventions for students on the days the Interim Principal is in the district. 60% of the contract will be coded to Special Education Teaching
Attend IEP meetings	
Mentor for Mrs. Wehling	Mentor Life Skills Teacher, finish mentoring a current 1 st year teacher

Compensation Considerations

Based	Current Position	Interim Principal	Head Teacher
Salary	82,863.85	55,000.00	55,241.00
FICA/IPERS	13,738.63	9,119.00	9,158.96
Insurance	14,302.62	9,408.00	4,152.00
Total	110,545.30	73,527.00	68,551.96

- These considerations were developed with input from Carolyn Maher and Shannon Wehling. Carolyn will apply for the Interim Principal position if it is opened up.
- Carolyn has contacted the Board of Educational Examiners regarding activation of her license. For one year she can get an extension and perform all of the duties of Principal, including evaluation of teachers.
- The Head Teacher compensation includes a salary 49,283 and Lead/Head Teacher stipend of 5,958.
- 60% of the Head Teacher's Compensation (**41,131.18**) can be coded to Special Education which is budget authority neutral. The district also does Medicaid documentation for students on behavior plans and health plans. This helps with Special Education costs.
- Therefore, the net cost to the Regular Education portion of the General Fund is **100,947.78**.
- Roughly another **30,000** in administrative costs can be saved by reducing the FTE of the superintendent .1 (.5 FTE to .4 FTE).

**Possible Administration Schedule
Three Way Superintendent Share**

	Monday	Tuesday	Wednesday	Thursday	Friday
Elementary	Interim Principal	Lead Teacher	Interim Principal	Lead Teacher	Interim Principal
JH/HS	Principal	Principal	Principal	Principal	Principal
Superintendent	Griswold	Sidney	Griswold	Sidney a.m. South Page p.m.	Sidney a.m. South Page p.m.

- Interim Principal in the district on the days the Superintendent is in Griswold.
- Monday is an abbreviated day with students. The JH/HS starts at 9:45 and the Elementary at 10:00.
- Splitting two days and starting the day at Sidney provides time flexibility (40 – 60 % Sidney presence depending on the week and circumstances) which South Page is agreeable to.
- Cost share split out 33% each district.
- Three way superintendent share would be for a one-year trial, subject to review after the first semester by all of the boards.



Discussion
action b
Gregg Cruickshank <gcruickshank@sidney.k12.ia.us>

Shared Human Resource

5 messages

Mike Wells <mwells@nishbd.org>

Thu, Apr 14, 2016 at 10:20 AM

To: Gregg Cruickshank <gcruickshank@sidney.k12.ia.us>

Cc: Kris Wood <kwood@nishbd.org>, Brandi Oakes <boakes@nishbd.org>, Bill Barrett <bbarrett@nishbd.org>, Dave Mincer <dmincer@nishbd.org>, Debbie Reeves <dreeves@nishbd.org>, Phillip Kuhr <pkuhr@nishbd.org>, Reva Benefiel <rbenefiel@nishbd.org>

Gregg,

Kris Wood and I spoke with Brandi to see if she is willing to help Sidney one day a week. She is willing. On the day she is in Sidney, she will help with whatever you need her to. We are not interested, at this time, in doing your website. This arrangement would be for the rest of the school year and we can discuss and develop a contract for the 2016-2017 school year if both parties are happy. We would want \$175 per day for this service which would include all benefits and travel expenses. If you have any questions let us know. I have cc'ed the Hamburg School Board so they are aware of the possible sharing. Thanks.

—
Dr. Mike Wells, Superintendent/Elementary Principal
Hamburg Community School District

(712) 382-382-1063 (office)
(712) 350-1065 (cell)

Gregg Cruickshank <gcruickshank@sidney.k12.ia.us>

Thu, Apr 14, 2016 at 10:55 AM

To: Mike Wells <mwells@nishbd.org>

Mike:

Thanks for the information. Can you break out the \$175 of costs so I can share it with the Sidney Board? Hourly wage, FICA/IPERS, etc... When Jen visited with Kris she quoted Jen a wage of \$13.32 an hour and said Brandi did not have health insurance.

Gregg

Gregg Cruickshank
Shared Superintendent
Sidney CSD and South Page CSD
gcruickshank@sidney.k12.ia.us
gcruickshank@southpageschools.com
712-374-2141 Sidney
712-582-3212 South Page

***People before Policy and Paperwork
Rules without Relationships leads to Rebellion***

[Quoted text hidden]

Gregg Cruickshank <gcruickshank@sidney.k12.ia.us>
To: Jennifer Maher <jmaher@sidney.k12.ia.us>

Thu, Apr 14, 2016 at 10:55 AM

Gregg Cruickshank
Shared Superintendent
Sidney CSD and South Page CSD
gcruickshank@sidney.k12.ia.us
gcruickshank@southpageschools.com
712-374-2141 Sidney
712-582-3212 South Page

People before Policy and Paperwork
Rules without Relationships leads to Rebellion

[Quoted text hidden]

Mike Wells <mwells@nishbd.org>

Thu, Apr 14, 2016 at 11:37 AM

To: Gregg Cruickshank <gcruickshank@sidney.k12.ia.us>, Kris Wood <kwood@nishbd.org>

\$13.32 per hour x 8 hours=\$106.56

FICA/IPERS=\$17.66

Mileage=.50 per mile x 20=\$10.00

We plan on paying her an additional \$40 per day for the extra work she is taking on. Her work here still has to get done but she is willing to take it home with her and work on it.

Total=\$174.22

[Quoted text hidden]

Gregg Cruickshank <gcruickshank@sidney.k12.ia.us>

Thu, Apr 14, 2016 at 12:22 PM

To: Mike Wells <mwells@nishbd.org>

Cc: Kris Wood <kwood@nishbd.org>

Thanks Mike. I will share with the Sidney Board and put the information in their packets.

Gregg Cruickshank
Shared Superintendent
Sidney CSD and South Page CSD
gcruickshank@sidney.k12.ia.us
gcruickshank@southpageschools.com
712-374-2141 Sidney
712-582-3212 South Page

People before Policy and Paperwork
Rules without Relationships leads to Rebellion

Discussion
action
C

INTER-DISTRICT AGREEMENT FOR AUTOMOTIVES PROGRAM 2016/17

Pursuant to the provisions of Chapter 28E and Section 280.15 of the Code of Iowa, this agreement is entered into between the Sidney Community School District and the Shenandoah Community School District

In consideration of the mutual obligations expressed below, the parties agree as follows:

1. Sidney CSD agrees to provide the services of Robert Urton, a certified teacher.
2. The costs for program services incurred by the Sidney Community School District and Shenandoah Community School District will be shared as follows:
 - Costs associated with Mr. Urton performing his duties will be billed as a percentage of instructional time spent in each district.
 - Supplemental weighted funding generated from the program will be shared based on the percentage of instructional time spent in each district.
 - Sidney will bill Shenandoah for costs associated with Mr. Urton's duties twice - after the conclusion of the first semester and conclusion of the second semester.

The terms of this contract are for one year commencing on July 1, 2016 and terminating on June 30, 2017. The boards will act on renewal for 2017 – 18 no later than their regularly scheduled April, 2017 meeting.

President or Board Designee
Sidney Community School

President or Board Designee
Shenandoah Community School

Date

Date

Discussion
action
e

Proposed Agreement
Between the
Sidney Education Association
and the
Sidney Community School District, Employer

April 18, 2016

Wages

A base salary increase of \$1,000 to \$40,825. Total package increase of \$72,466 and 3.089%.

Language

EMPLOYEE WORK YEAR

A. **SCHOOL YEAR.**

1. **Regular Contract:** The school year constituting the basis for all regular employee contracts shall not exceed 190 days, exclusive of holidays and vacations, and shall include:
 - a) One hundred eighty (180) teaching days.
 - b) **Ten (10) Professional Development Days.**
Each year the Association shall be allowed, prior to February 1, the opportunity to provide the Superintendent a list of proposed topics for professional development days for the ensuing school year. The Board shall consider the Association list of proposed professional development topics during the development of the school calendar.
 - c) Should the employer wish to add other days to the normal contract year, or should additional days be required in order to comply with any mandated additional days to the normal contract year, such days will be paid to each employee in accordance with the amount funded by the state. If the days are not funded by the state, such days will not be added to the contract.

April 18, 2016-Sidney Education Association and Sidney Board of Education

Understanding of Professional Development

Our contract states that teachers participate in 10 professional development days. Many of those days are open to work on individual career development plans. In accordance with the district PD days that are planned and published as of October 1st for the current school year, Sidney Education Association is proposing that requests begin by June 1. When certified staff completes an approved professional development course, outside of the 190 contract days, he/she shall be compensated up to three days at the end of the school year. In exchange for the PD days that are not scheduled with district initiatives, the educator will provide documentation of completion of the approved course. In an instance when a scheduled non-district initiative PD day is rescheduled within the contract school year after October 1, as a day of district initiative PD, after administrative approval, the said individual shall be compensated by the district at a per diem rate. Teacher requests shall be made by February 1. Educator's course completion shall be presented to the administration on or about May 1.

- Summer district initiatives

- Summer Courses
- Weekend or Holiday professional developments

...that are being required by the district will be compensated per diem or through exchange of PD time.

- 1 credit course completed compensates 1 day
- 2 credit course completed compensates 2 days
- 3 credit course completed compensates 3 days

Google Doc-Only editing permissions by administration
Viewing permissions by staff

Name	Request	Completion	Compensation
Example Libby Weber	Google Summit December 2-4	12-4-16	May 23, 24

Extended Contract Vocational Agriculture

Agreement on extended contract for the Vocational Agriculture Teacher up to 20 days per diem based on Schedule A.

Discussion
action f

Educational Transitions Public School Contract

John M. Davis

104 Hughes St. Post Office Box 93

Blanchard, Iowa 51630

850-803-7838

johnd32@hotmail.com

Contract Dates: 2016-2017 School Year

School Name: Sidney Community Schools

School Contact Person: Bill Huntington

School Address: 2754 Knox Rd, Sidney, IA 51652

School Phone Number: (712) 374-2141

School Fax Number: (712) 374-2013

School WWW or Contact E-mail: www.sidneyschools.org

School Current Enrollment: 250

Educational Transitions will provide the following:

- Internship/Externship program development and management
- Institutional consultation and support

Sidney Community Schools will provide the following:

- A designated contact person; ex: building principal, administrator, office secretary, etc.
- A meeting room containing a computer and phone
- Access to copier and fax

Availability of office staff for contacting students, coordination with announcements, calendars to include updated meeting/transportation schedules, and accessing, copying, filing, and/or forwarding appropriate records and providing student contact information lists such as addresses, phone numbers and class schedules.

Compensation at a rate of \$12,000 for the term of the contract paid on the 20th day of the month beginning on August 20, 2016 and paid in 10 equal installment of \$1,200. Additional services may be provided by mutual agreement at a rate of \$400. Additional services shall be paid at the conclusion of the contract.

Both Parties of this contract agree that services will be provided on mutually acceptable dates and times and will communicate any unforeseen conflict or change of agreed upon dates and times within a reasonable time frame and to fulfill the conditions of this contract.

Signatures indicate agreement to the conditions of the above contract.
Educational Transitions

By: John M. Davis, President

Date

Sidney Community Schools

By: Board of Directors President

Date



Iowa Assn of School Boards
6000 Grand Ave
Des Moines IA 50312

COPY

Invoice Number	IASBMBR004912
Invoice Date	7/1/2016
Customer ID	SIDNEY CO298
Customer PO#	

*Discussion
action
g*

Bill To:

Sidney Community Schools
2754 Knox Road
PO Box 609
Sidney IA 51652-0609

Remit To:

Iowa Association of School Boards
PO Box 4716
Des Moines, IA 50305-4716

Item	Description	Quantity	Unit Price	Ext. Price
01DUESSK12	IASB Membership Dues 2016-17	1	\$1,922.00	\$1,922.00
			Total Due	\$1,922.00
			Payments Received	\$0.00
			Amount Due	\$1,922.00

Payments made are for services rendered and are not considered charitable contributions.

Retain Top Portion for Your Records
REMITTANCE COPY
Please return this portion with payment.



Iowa Assn of School Boards
6000 Grand Ave
Des Moines IA 50312

Invoice Number	IASBMBR004912
Invoice Date	7/1/2016
Customer ID	SIDNEY CO298
Amount Due	\$1,922.00

Remit To:

Iowa Association of School Boards
PO Box 4716
Des Moines, IA 50305-4716

Sidney Community Schools
2754 Knox Road
PO Box 609
Sidney IA 51652-0609



Please
get me a copy
for the board
packet. Board
approval before
payment

6000 Grand Ave., Ste. A
Des Moines, IA 50312
direct (515) 288-1991
fax (515) 243-4992
toll-free 1-800-795-4272

April 1, 2016

Heidi Lowthorp
Board President
Sidney Community Schools
705 Douglas Street
PO Box 61
Sidney, IA 51652

Dear Heidi,

Thank you for the support you have provided as a member of the Iowa Association of School Boards. IASB is recognized as a statewide leader in education and your district's membership enhances IASB's capacity to provide high-quality support services and board development opportunities that foster effective school governance, as well as advocacy on the critical issues affecting public education.

This year, enhanced member services included an upgraded website, expanded collective bargaining toolkit and consultation, updated sample policy in several areas, and several new financial tools. With the launch of School Board U last fall, IASB's updated board development curriculum paved the way for orienting more than 400 newly elected school board members and offers a strong foundation of learning for all school boards—learning that is relevant to our work at the board table.

On the advocacy front, timely, sufficient school funding continues to be a priority. From urging legislators to make an investment in supplemental state aid, to highlighting inequities in school funding and offering solutions on issues such as transportation funding, IASB leverages the power of our voice as locally elected school boards.

In addition, through IASB's membership in the National School Boards Association, Iowa schools—and more across the country—realized a major milestone with the reauthorization of the nation's major federal education law in the Every Student Succeeds Act (ESSA).

Thank you again for your membership. In the coming year, IASB will continue to support you and your colleagues in the pursuit of world class education for all students in Iowa. I invite you to renew your membership for the 2016-17 year. Your dues invoice has been emailed to your business manager.

Sincerely,

A handwritten signature in black ink that reads "Amy Jurrens". The signature is written in a cursive, flowing style.

Amy Jurrens
IASB Board President

Cc: Superintendent
Enclosure

Mission: To educate, support and challenge school board members in their pursuit of world class education for all students in Iowa.

The Value of Your IASB Membership

IASB is committed to serving Iowa school boards and public education. We support our members with education, advocacy and services that align to the three goals in our mission.

Goal #1: Provide Member Resources for Effective Governance and Leadership

Be in the Know, 24/7. IASB member resources help you stay current and make good decisions.

- NewsClips, Weekly Memo, Advocacy in Action, Action Alerts and social media feeds all help members stay up to the minute on education in Iowa and across the country.
- IASB's website offers 24/7 resources, including information, data, research, articles, tools and tip sheets on student learning, boardsmanship, the law, school finance, employee relations, advocacy, policy and board development.
WWW.IA-SB.ORG



Ask Me. 1-800-795-4272

IASB staff experts field hundreds of member calls every month, offering consulting and advice on school governance and management. Your IASB team is a phone call or email away!

School Board U: Learning for the governing team.

- IASB conferences, workshops, self-study tools, webinars and online courses are designed to meet the needs of school boards, superintendents, board secretaries and school business officials.
- Learning and leadership makes a difference at the board table – our awards program, including Boardsmanship Awards and Basics of Boardsmanship certification, recognizes boards for their learning and work.

Goal #2: Increase Advocacy for Iowa Public Education

IASB is a leading advocate for local governance and public education. Membership in IASB makes a strong statewide voice possible.

- Lobbying and Grassroots Engagement on Legislation
- Advocacy during Administrative Rules Process
- Representation on State Commissions and Task Forces
- IASB Legal Service Fund engaging in legal cases of statewide significance
- Federal representation provided through IASB's membership in the National School Boards Association (NSBA)



Easton Valley superintendent Andy Crozier, board president Tom Feuerbach, board vice president Jodi Meyer and board member Rod Regenwether with Reps. Norlin Mommsen and Brian Moore at our annual Day on the Hill on Feb. 8, 2016.



Vision: All Iowa school boards utilize effective governance practices, which contributes to Iowa's being the global leader in education.

Goal #3: Create Strategic Partnerships to Extend Services to Members

Members have access to additional services and endorsed programs, including:

GOVERNANCE & LEADERSHIP

eBOARDsolutions

RISK MANAGEMENT

Safety Group Insurance Program

Iowa Medicaid Education Disbursement (IMED)

FINANCIAL MANAGEMENT

Iowa Schools Joint Investment Trust (ISJIT)

Iowa School Cash Anticipation Program (ISCAP)

Forecast5 Analytics

GASB 45 Compliance Service

Check Recovery Service

HUMAN RESOURCES

Iowa Schools Employee Benefits Association (ISEBA)

Benefit Compliance Program (BCP)

Iowa Drug and Alcohol Testing Program (IDATP)

Employee Background Investigation Service

FACILITIES

Iowa Construction Advocate Team (ICAT) & Integrated Project Delivery

Iowa Joint Utility Management Program (IJUMP)

Playground Compliance Program

IASB selects endorsed partners as a way to extend our services to members in critical areas of support to the governance/management team. This collaboration helps us offer a broader array of services that bring added value to our members. These services help save members' time and money and strengthen school operations.

We Are Your Organization

IASB is created for, and governed by, Iowa public school boards.



Amy Jurrens
President
George-Little Rock



Joan Corbin
President-elect
Pella



Roger Shaffer
Treasurer
Sumner-Fredericksburg



Dr. Jeff Anderson
Past President
Boone



Susie Bormann
Director District #1
Sibley-Ocheyedan



Jon Rowen
Director District #2
Eagle Grove



Kevin Powell
Director District #3
Starmont



Alan Hazelton
Director District #4
Harlan



Jill Morrill
Director District #5a
Johnston



David Sutherland
Director District #5b
Nevada



David Law
Director District #6a
Marion



Keith Westercamp
Director District #6b
Cedar Rapids



Bill Grove
Director District #7
Council Bluffs



Troy Padellford
Director District #8
Pleasantville



Tim Bower
Director District #9
Muscatine



James (Jim) Green
Director District AEA
Grant Wood AEA



Yvonne Mallory
IACCT Representative
Iowa Valley CC



Lisa Bartusek
Executive Director
IASB

Iowa Association of School Boards
6000 Grand Ave, Ste. A
Des Moines, IA 50312
(515) 288-1991
www.ia-sb.org

Vision and Voice for Public Education

Action
a

Rachael Marion
2317 R St.
Auburn, NE 68305

April 5, 2016

Bill Huntington, Principal
Sidney High School
2547 Knox Road
Sidney, IA 51652

Dear Mr. Huntington,

I am writing this letter with deepest regrets that I will be resigning as the National Honor Society sponsor and the Junior High Student Council sponsor. I have enjoyed working with these students for the last two years, however, they do not get to participate in events or do different activities that they deserve. If I lived closer it would be a lot easier to do more out of school activities but I do not have time to do these activities with them.

Please accept my resignation as National Honor Society and Junior High Student Council sponsor.

Thank you,

Rachael Marion



Gregg Cruickshank <gcruckshank@sidney.k12.ia.us>

Speech

hslater100 . <mdcakc@gmail.com>

Fri, Apr 15, 2016 at 8:12 AM

To: Bill Huntington <bhuntington@sidney.k12.ia.us>, Gregg Cruickshank <gcruckshank@sidney.k12.ia.us>

Thank you for giving me the opportunity to coach speech this year. I really enjoyed it. Unfortunately, I will not be able to do it next year. With Kaden's issues I have to eliminate anything extra and focus on his needs right now. Thanks again.

Heather Slater

Corporate Office

930 South 48th Street
Omaha, NE 68106-1952

(402) 553-7000 Phone
(402) 553-7611 Fax
(800) 397-4000 Toll Free



Action

Branch Offices

Kansas City (816) 822-2192
Sioux Falls (605) 368-2885
Des Moines (515) 243-8000

April 8, 2016

Sidney High School
2754 Knox Rd
Sidney, Iowa 51652

AEL, Inc. proposes to furnish and install one Garaventa Genesis Vertical Platform Lift model GVL-EN-144 in the Sidney High school, 2754 Knox Rd, Sidney, Iowa, in accordance with the following:

PLATFORM: Platform will be 37 1/4 inches wide by 53 7/8 inches long and have three stops with straight through configuration. Travel will be maximum 12 feet. Capacity is 750 pounds.

SPEED: Approximately 17 fpm (plus or minus).

DRIVE SYSTEM: Chained hydraulic drive system with continuous mains power and auxiliary battery power, slack cable safety device, and manual lowering relief valve.

CONTROLS: Keyed elevator style illuminated push button call station controls. Keyed elevator style illuminated push button platform controls. Telephone mounted in car (connection to existing service excluded) with telephone traveling cable will be provided.

ENCLOSURE, SIDEWALLS & DOORS: Enclosure panels to be clear plexi-glass. There will be a 36 inch wide door at the bottom and middle landings. The top landing will have a 36 inch wide door.

SAFETY DEVICES: The unit shall have the following safety features for protection of users and the general public:

1. Upper and lower limit switches
2. Final limit switch
3. 24 VAC controls
4. Grounded electrical system
5. Non-slip platform
6. Emergency stop switches with battery backup on the platform control
7. Electro-mechanically locking door or gate at each landing
8. Slack chain switch

WORK BY OTHERS:

1. Owner agrees to give AEL, Inc. uninterrupted use of the premises adjacent to the elevator during the regular working hours.
2. Owner will supply and install 120 volt, 60-cycle power supply with a 20 amp fused disconnect as directed by AEL, Inc.
3. Owner will supply and install a phone line run into the hoist-way (as directed by AEL, Inc.).

The above provisions, together with the TERMS AND CONDITIONS ATTACHED HERETO, when signed by you and us shall constitute a fully binding and enforceable contract between you and us. No changes in or additions to this contract will be enforceable unless made in writing and properly initialed by both parties.

SIGNED AND ACCEPTED IN DUPLICATE ON _____ 20 _____

RESPECTFULLY SUBMITTED ON April 8 20 16

PURCHASER (Sometimes referred to as "you") _____

AEL, INC. (sometimes referred to as "we" or "us")

BY _____
Signature of Authorized Representative

BY _____
Signature of Authorized Representative

TITLE _____

TITLE _____

THIS CONTRACT IS VOID AND OF NO EFFECT IF NOT FULLY EXECUTED WITHIN 30 DAYS FOLLOWING THE DATE SUBMITTED BY US.

Corporate Office

930 South 48th Street
Omaha, NE 68106-1952

(402) 553-7000 Phone
(402) 553-7611 Fax
(800) 397-4000 Toll Free



Branch Offices

Kansas City (816) 822-2192
Sioux Falls (605) 368-2885
Des Moines (515) 243-8000

4. Owner will supply and install a light fixture at the top of the hoist-way if needed.

WARRANTY: AEL, Inc. will provide a two-year warranty on parts and a one-year warranty on labor (call back service during regular business hours only).

PRICE: The contract price of \$30,387.00 includes all labor, materials, permits, and shipping. Any applicable taxes including sales, excise, and use taxes will be charged in addition to the contracted price. We require a down payment of \$21,270.90 (70 percent of the purchase price) with the signing of the contract. The balance is due upon completion of the installation. \$1,000 down can also be done with the signing of the contract and when the lift is placed into production.

If this contract is acceptable, please sign and return one copy along with your check to our office. Any changes made to this contract may result in additional fees.

The above provisions, together with the TERMS AND CONDITIONS ATTACHED HERETO, when signed by you and us shall constitute a fully binding and enforceable contract between you and us. No changes in or additions to this contract will be enforceable unless made in writing and properly initialed by both parties.

SIGNED AND ACCEPTED IN DUPLICATE ON _____ 20 _____

RESPECTFULLY SUBMITTED ON April 8 2016

PURCHASER (Sometimes referred to as "you") _____

AEL, INC. (sometimes referred to as "we" or "us")

BY _____
Signature of Authorized Representative

BY _____
Signature of Authorized Representative

TITLE _____

TITLE _____

THIS CONTRACT IS VOID AND OF NO EFFECT IF NOT FULLY EXECUTED WITHIN 30 DAYS FOLLOWING THE DATE SUBMITTED BY US.